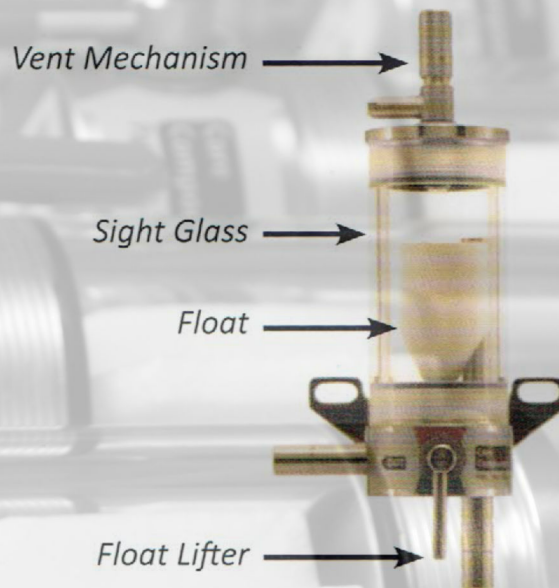


CORE FOB OPERATING User Guide



- (1) When the keg is empty disconnect the keg coupler and connect it to a full keg.
***Make sure that the Tap/Faucet is closed and that no dirt or grit can enter the beer line**
- (2) Push **Vent Mechanism** down on top of CORE FOB until **Sight Glass** is full of beer and no bubbles appear in the **Sight Glass** or in the **Product Lines**.
- (3) Rotate **Float Filter** on the CORE FOB base into **RED** (By Pass) area to lift the float and then rotate back into the **Green** area.
 - Taking these steps **Out of Order** will result in **Foamy Beer!**
 - Always close **Tap/Faucet** before connecting to new Keg.



Procedure For Beer Line Cleaning

During periodic **cleaning of beer lines** rotate **Float Lifter** into the **RED** area for **By Pass**. Hold the **Vent Mechanism** down to allow the cleaning solution to flow through the **Vent Mechanism** and the **Drain Line**. Rinse the vent with clean water after washing. Upon completion of line cleaning assure CORE FOB has been filled with the fresh beer with no bubbles appearing in the **Sight Glass** or **Product Lines**. Rotate **Float Lifter** onto **GREEN** to allow beer dispense. Clean exterior with warm water and damp cloth.